

SH-Solvent Caps

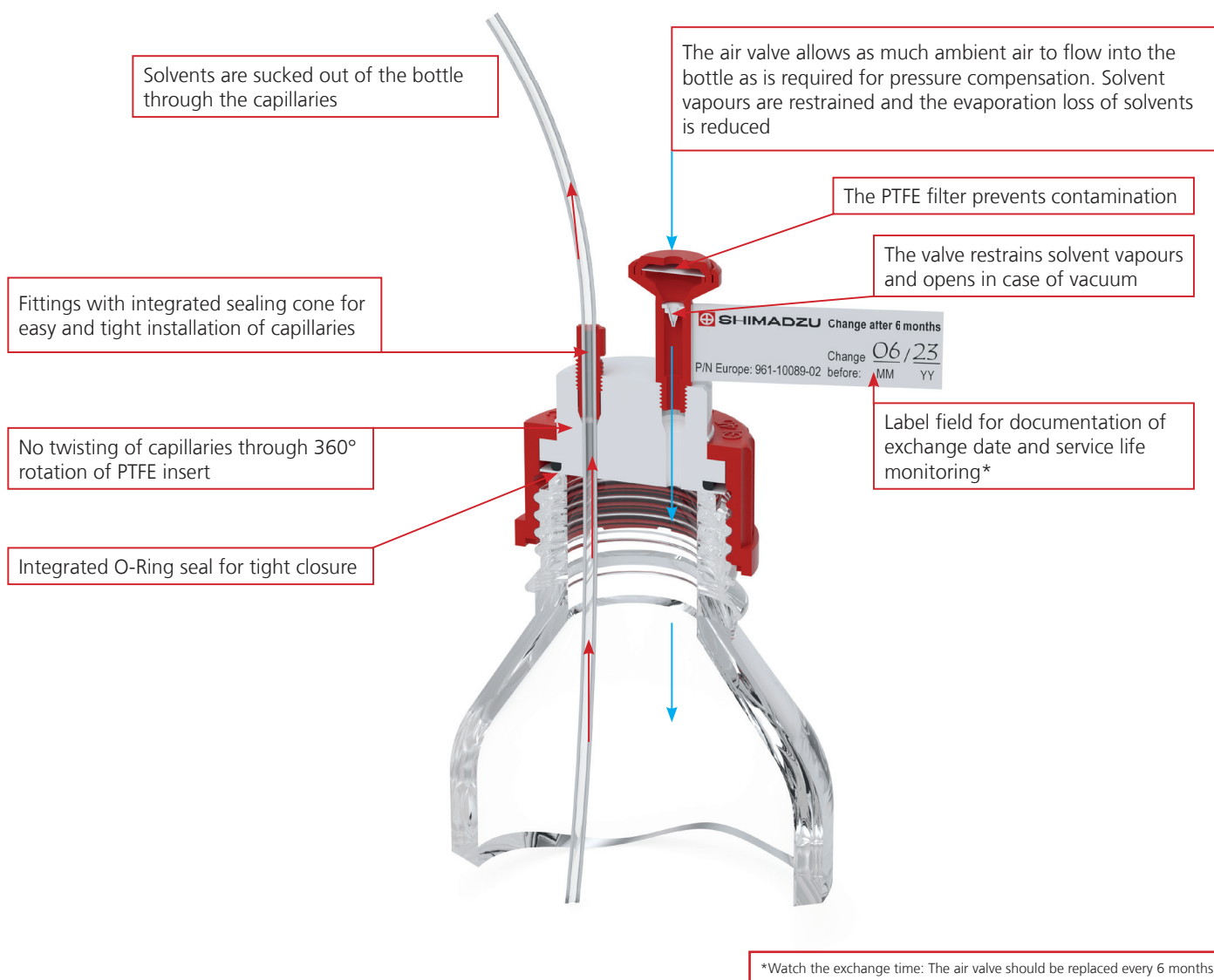


Shimadzu Solvent Caps Benefits

- Closed system to prevent hazardous vapours from entering the laboratory
- Hermetically seal all laboratory bottles with GL45 thread
- Ensure safe inflow and outflow of HPLC solvents via capillaries with OD- \varnothing 3.2 mm
- Chemical resistance allows sterilisation and autoclaving up to 140 °C for soap-free operation
- Prevent tangling of tubes by allowing the inner body of the cap to rotate independently
- All Solvent Caps are supplied with an air valve and capillary fitting as the optimum solution for solvent removal












Shimadzu Solvent Caps Features



Ordering Information:

	1 Line	2 Lines	3 Lines	4 Lines	Air valve with flag (2 pcs.)	Air valve with flag (10 pcs.)	Blind stopper (10 pcs.)
P/N	961-10081-01	961-10081-02	961-10081-03	961-10081-04	961-10089-02	961-10089-10	961-10088-10
Picture							
Content	1 Cap 1 Air valve + Flag 1 Fitting	1 Cap 1 Air valve + Flag 2 Fittings 1 Blind stopper	1 Cap 1 Air valve + Flag 3 Fittings 2 Blind stopper	1 Cap 1 Air valve + Flag 4 Fittings 3 Blind stopper	2 pcs.	10 pcs.	10 pcs.

Shimadzu Solvent Caps Packages

Useable for	LC	LC-MS	Method Scouting
P/N	961-10080-01	961-10080-02	961-10080-03
Content P/N			
Solvent Caps	3x 961-10081-01 	4x 961-10081-01 	8x 961-10081-01 
Replacement Air Valves	1x 961-10089-02 	1x 961-10089-02 	1x 961-10089-02 
Waste Set	1x 980-10223 	1x 980-10223 	1x 980-10223 

Shimadzu Solvent Caps Accessory

Exhaust Filter for Waste Can

P/N 980-10115

Size M; up to 6 months lifetime; with change indicator



Waste Set

P/N 980-10223

Content:

- 5 L space saving canister
- Waste Cap; S50 thread
- Fittings
- Size S exhaust filter; up to 3 months lifetime; with change indicator



Bottle Set

P/N 228-38583-91

1 litre Solvent-Bottles borosilicat-glass including cap
Content 5 pcs.



Find all products 24/7 in our Webshop
www.shimadzu.eu/shimadzu-goes-webshop



Find our full portfolio of columns and accessories
www.shimadzu.eu/columns-and-consumables

Get more information on Shimadzu Consumables & Accessories at www.shimadzu.eu/columns-and-consumables



For Research Use Only. Not for use in diagnostic procedure.

The content of this publication shall not be reproduced, altered or sold for any commercial purpose without the written approval of Shimadzu.

The information contained herein is provided to you „as is“ without warranty of any kind including without limitation warranty as to its accuracy or completeness. Shimadzu does not assume any responsibility or liability for any damage, whether direct or indirect, relating to the use of this publication. This publication is based upon the information available to Shimadzu on or before the date of publication, and subject to change without notice.

Shimadzu Europa GmbH
www.shimadzu.eu

© Shimadzu Europa GmbH, 2023 / First Edition: July 2023